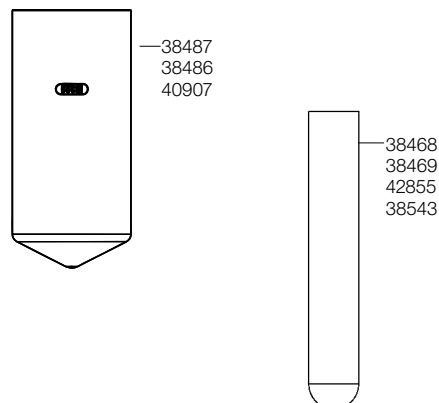


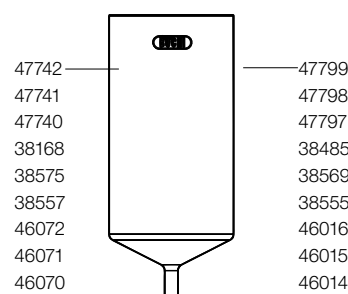
Polyvap/Reactor Tubes

Set of 4 vessels R-4 Polyvap	38487
Set of 6 vessels R-6 Polyvap	38486
Set of 12 vessels R-12 Polyvap	40907
Set of 50 test tubes for rack R-24	38469
Set of 50 test tubes for rack R-24, with screw cap	38468
Set of 100 test tubes for rack R-48	42855
Set of 100 test tubes for rack R-96	38543



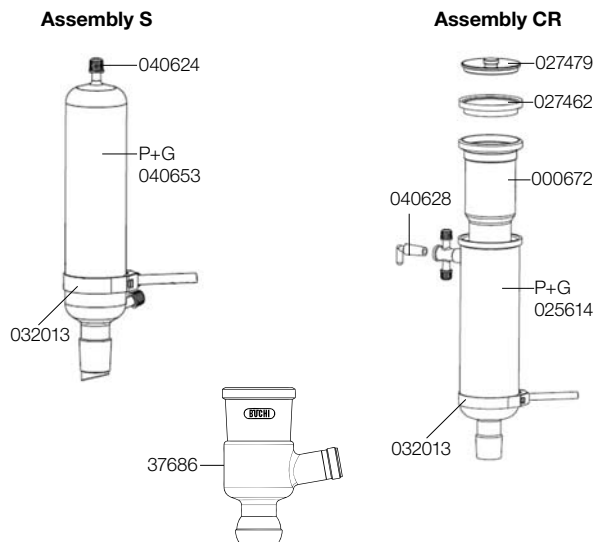
Analyst tubes

Set of vessels Analyst	with grad.	w/o grad.
R-4 / 4 pcs., 0.3 ml res. volume	47742	47799
R-4 / 4 pcs., 1.0 ml res. volume	47741	47798
R-4 / 4 pcs., 3.0 ml res. volume	47740	47797
R-6 / 6 pcs., 0.3 ml res. volume	38168	38485
R-6 / 6 pcs., 1.0 ml res. volume	38575	38569
R-6 / 6 pcs., 3.0 ml res. volume	38557	38555
R-12 / 12 pcs., 0.3 ml res. volume	46072	46016
R-12 / 12 pcs., 1.0 ml res. volume	46071	46015
R-12 / 12 pcs., 3.0 ml res. volume	46070	46014



Condenser

Vertical condenser S, P+G (incl. tube connection GL-14 complete)	40653
Set screw cap GL-14	40624
Rubber band	32013
Cold trap outer part P+G* (incl. tube connection GL-14 complete)	25614
Cold trap inner part	672
Seal PTFE / Viton complete	27462
Cap for cold trap	27479
Stop cocks SJ 18.8/38 for glass assemblies C/CR	40628
Vacuum stopper P+G	37686



*For Cold Trap applications see Receiving Flasks P+G low temp. on Page 8